



SM-120

Scale Printer

A New Vision of Scale Printer

Cloud services provided
Cassette type for both liner and linerless label
New mechanical structure for easy maintenance



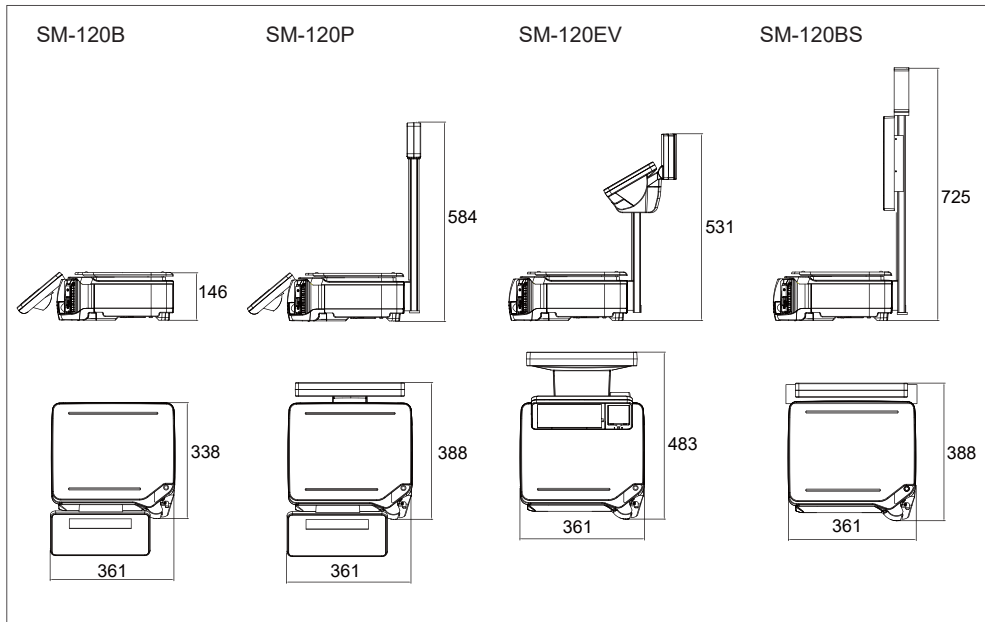
SM-120B



SM-120P

*Searching for
a New Balance*

External Dimensions(mm)



Cassete



Basic Specifications

Model	SM-120B	SM-120P	SM-120EV	SM-120BS	
Capacity	3kg,6kg/6lb,12kg/12lb,15kg/15lb,30kg/30lb				
Display	202 x 32 pixels FSTN type LCD with white back-light Tare Weight: 4 digits. Weight: 5 digits. Unit Price: 6 digits. Total Price: 7 digits. Second Line display: 25 characters.				
Memory	2MB(Standard) 32GB(Max)				
Power Source	AC 176V ~ 264V, 47~63Hz.				
Operating Temperature	-10°C ~ +40 °C				
Operating Humidity	15% ~ 85% RH.				
Power Consumption	0.15A.				
Number of Preset Keys	32	56	56	72	120
Printer	Thermal printer Max. Printing Width: 60mm. Paper Width: 62mm (receipt) / 60mm (label). Printing speed: Maximum 110 mm / sec. Life span: 100 million pulses, 100km or more.				
Interface	AC receptacle. Cash drawer control port (drive voltage is 24V). 1 x RS-232C interface. Ethernet.				

*Specifications are subject to change without prior notice.

Factory Option

All SM-120 scale models are also available as **linerless with auto-cutter - DIGI world's first innovation**

- more labels per roll thanks to elimination of the backing paper
- reduced label usage - label length is self-adjusted based on each product information - no more blank spaces
- more attractive label edges thanks to auto-cutting feature
- reduced storage and inventory costs - one label for all products - self-adjusted label length
- reduced waste by elimination of backing paper

DIGI CANADA Inc.

87 Moyal Court, Concord,
Ontario L4K 4R8
Toll Free: 1-888-587-8221
Website: www.digisystem.com
E-mail: sales@ca.digi-group.com